

TSL-2700 LAMINATOR PARTS LIST

DATE: 11/15/2018

*** BASED ON: STANDARD FEATURES LIST VERSION 28.2**

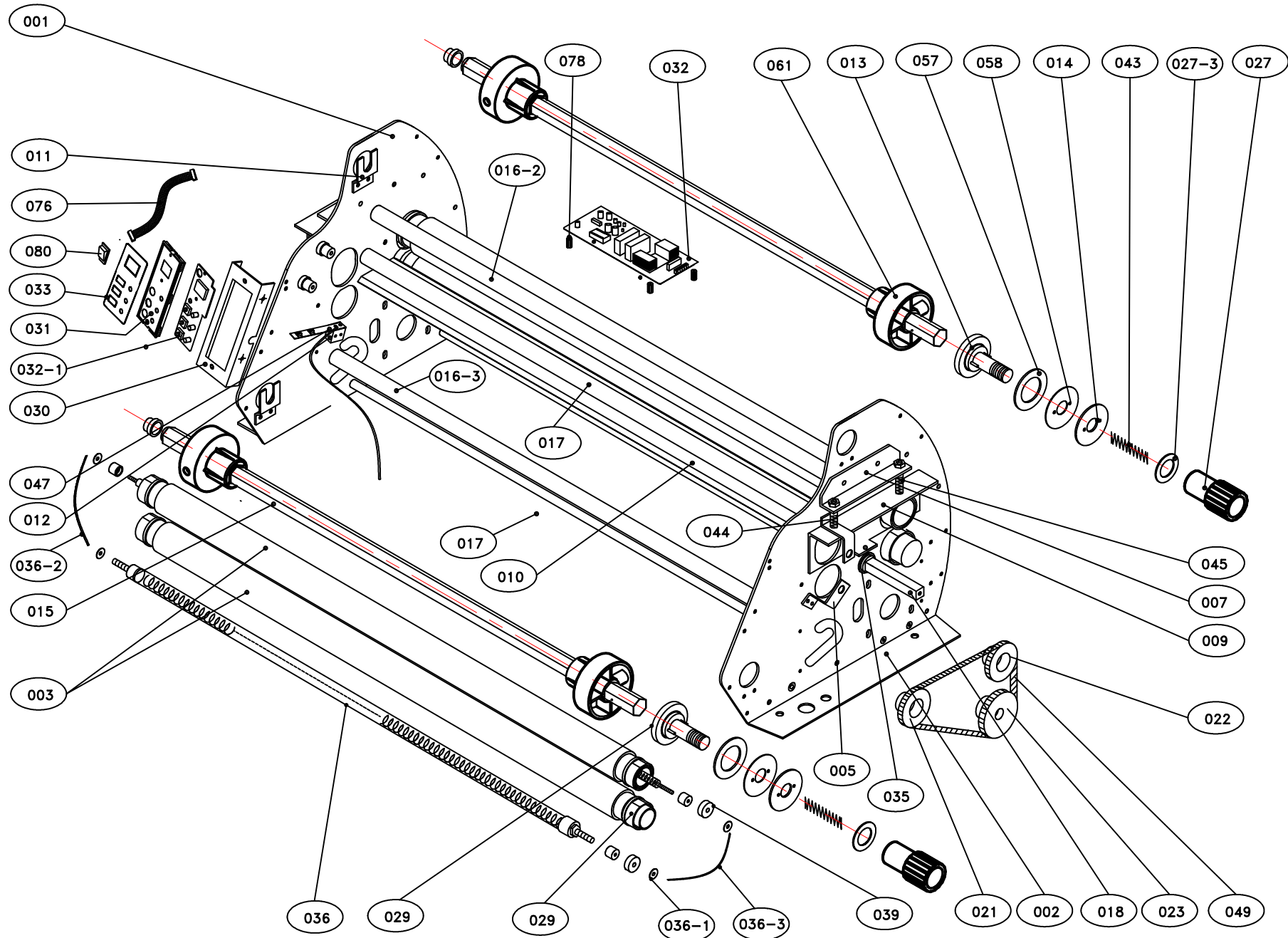
DRAWING NO.	PART NO.	DESCRIPTION	REMARK
001	RLM-B1N	BRACKET (R)	W/ J-shaped slot
002	RLM-B2N	BRACKET (L)	
003	RLM-2R	TOP/ BOTTOM ROLLER	
004	RLM-B3 (SLVR)	FEED TRAY	silver
	RLM-B3 (BEIGE)	FEED TRAY	beige (IMS)
005	RLM-B4	FIXING PLATE FOR HEATER	
006	RLM-B5	AC MOTOR (+ GEAR BOX)	
	RLM-B5-1	CONDENSOR	
007	RLM-B6	PRESS PLATE	for left & right both
009	RLM-B8	HEATER BRACKET	for left & right both
010	RLM-9 (SLVR)	GUIDE PLATE	silver
	RLM-9 (BEIGE)	GUIDE PLATE	beige (IMS)
011	RLM-10	FEEDING PLATE	
012	3H1-D30	THERMO SET	
013	RLM-B12	FEEDING PLATE	for top & bottom supply rolls
014	RLM-13	PAD	
015	RLM-B14	TOP/ BOTTOM ROD	for top & bottom supply rolls
	RLM-B14-1	BUSH	
016-2	RLM-B15A	EXPAND SHAFT Ø5	
016-3	RLM-B15A-1	EXPAND SHAFT (MOVABLE)	
016-4	RLM-B16	EXPAND SHAFT	
017	RLM-16	FIXED SHAFT	
018	RLM-17	ADJUSTMENT SHAFT	
019	RLM-B18 (SLVR)	REAR COVER	silver
	RLM-B18 (BEIGE)		beige (IMS)
020	RLM-B19 (SLVR)	INNER COVER	silver
	RLM-B19 (BEIGE)		beige (IMS)
021	RLM-B20-1	FRONT ROLLER SPROCKET (20T)	
022	RLM-B20-2	REAR ROLLER SPROCKET(19T)	
023	RLM-B20-3	MOTOR SPROCKET (20T)	
025	RLM-21	FIXING PLATE	
026	RLM-B22 (SLVR)	SIDE COVER (R)	navy blue
	RLM-B22 (BEIGE)		red (IMS)
026-1	RLM-B22-1 (SLVR)	SIDE COVER (L)	navy blue
	RLM-B22-1 (BEIGE)		red (IMS)
027	RLM-B23 (NVY)	TENSION KNOB	navy blue
	RLM-B23 (BEIGE)		beige (IMS)
027-3	RLM-W1	WASHER	
029	RLM-B25	CU BUSH	
030	RLM-26	PANNEL RACK	
031	RLM-B27	CONTROL PANEL	

032	RLM-B27-1	PCB	
032-1	RLM-B27-2	LED PCB	
033	RLM-B28 (BLK)	BUTTON NAMEPLATE	black with silver text (IMS)
	RLM-B28		
034	RLM-B29	TRANSMIT PARTS	
035	FD-39	BUSH	
036	RLM-BPVN	HEATER SET (PARALLEL)	
	S3D13-1	QUARTZ TUBE CAP	
036-1	3H1-P11	BAKELITE SHEET	
036-2	D2660-1	WIRE (HEATER TO PCB)	
036-3	D226N	WIRE (UPPER & LOWER HEATER)	
037	RLM-32 (SLVR)	HANDLE & CAP	silver
	RLM-32 (BEIGE)		beige (IMS)
038	RLM-33 (SLVR)	SIDE GUIDE (L)	silver
	RLM-33 (BEIGE)		beige (IMS)
038-1	RLM-33-1 (SLVR)	SIDE GUIDE (R)	silver
	RLM-33-1 (BEIGE)		beige (IMS)
039	3H1-BP9A	ISOLATION PAD	
040	RLM-37N	SLITTER	slitter
081	RLM-47	BLADE	
042	CB-3	GUIDE SCREW & NUT	
043	RLM-43	SPRING	
044	RLM-B42	SPRING (BLACK)	for front roller
045	RLM-B42-1	SPRING (SILVER)	for rear roller
047	3H1-B33	TEMPERATURE SENSOR WITH WIRE	
048	SB-4	FOOT PAD	
049	RLM-B45	CHAIN	
052	RLM-48	POWER SWITCH	
053	EP-31 (14AWG)	POWER CORD	
054	RLM-50	FUSE SET	
055-1	EP-10-20A	FUSE	
055-2	EP-10-15A	FUSE	
056	RLM-53-SR	WIRE JACKET	
057	RLM-54	PAD	
058	RLM-55	PAD	
061	RLM-B58	CORE ADAPTOR	
	D538	THUMB SCREW	
062	RLM-52	CUT-OFF FUSE	
076	RLM-B31	CONNECT WIRE	
078	RLM-39-RS	SPACER SUPPORT	
080	3LM-P8A	SWITCH (MOTOR CONTROL)	
	LABEL-1	COMPANY NAME(TAMERICA)	
	LABEL-5	CLEAN ROLLERS	
	LABEL-6	OPERATION INSTRUCTION	
	LABEL-7	WARING HAZARDOUS	
	LABEL-12	MOUNTING GUAGE	

PARTS SET				
Parts code	Containment		Item	Remark
C-RLM-04B	036	RLM-BPVN	Heater set (parallel connection)	*2
		S3D13-1		
A-RLM-05	004	RLM-3 (SLVR)	Feed tray (silver)	*2
	038	RLM-33 (SLVR)		
	038-1	RLM-33-1 (SLVR)		
	042	CB-3		
A-RLM-05B	004	RLM-3 (BEIGE)	Feed tray (beige)	*2
	038	RLM-33 (BEIGE)		
	038-1	RLM-33-1 (BEIGE)		
	042	CB-3		
C-RLM-06A	013	RLM-B12	Tension adjustment knob (navy)	navy blue
	014	RLM-13		
	027	RLM-B23 (NVY)		
	043	RLM-43		
	057	RLM-54		
	058	RLM-55		
	027-3	RLM-W1		
C-RLM-06B	013	RLM-B12	Tension adjustment knob (beige)	beige (IMS)
	014	RLM-13		
	027	RLM-B23 (BEIGE)		
	043	RLM-43		
	057	RLM-54		
	058	RLM-55		
	027-3	RLM-W1		

TSL-2700 ROLL-LAMINATOR

A



TSL-2700 ROLL - LAMINATOR (B)

