

TCC-2700i LAMINATOR PARTS MANUAL

DATE: 11/15/2018

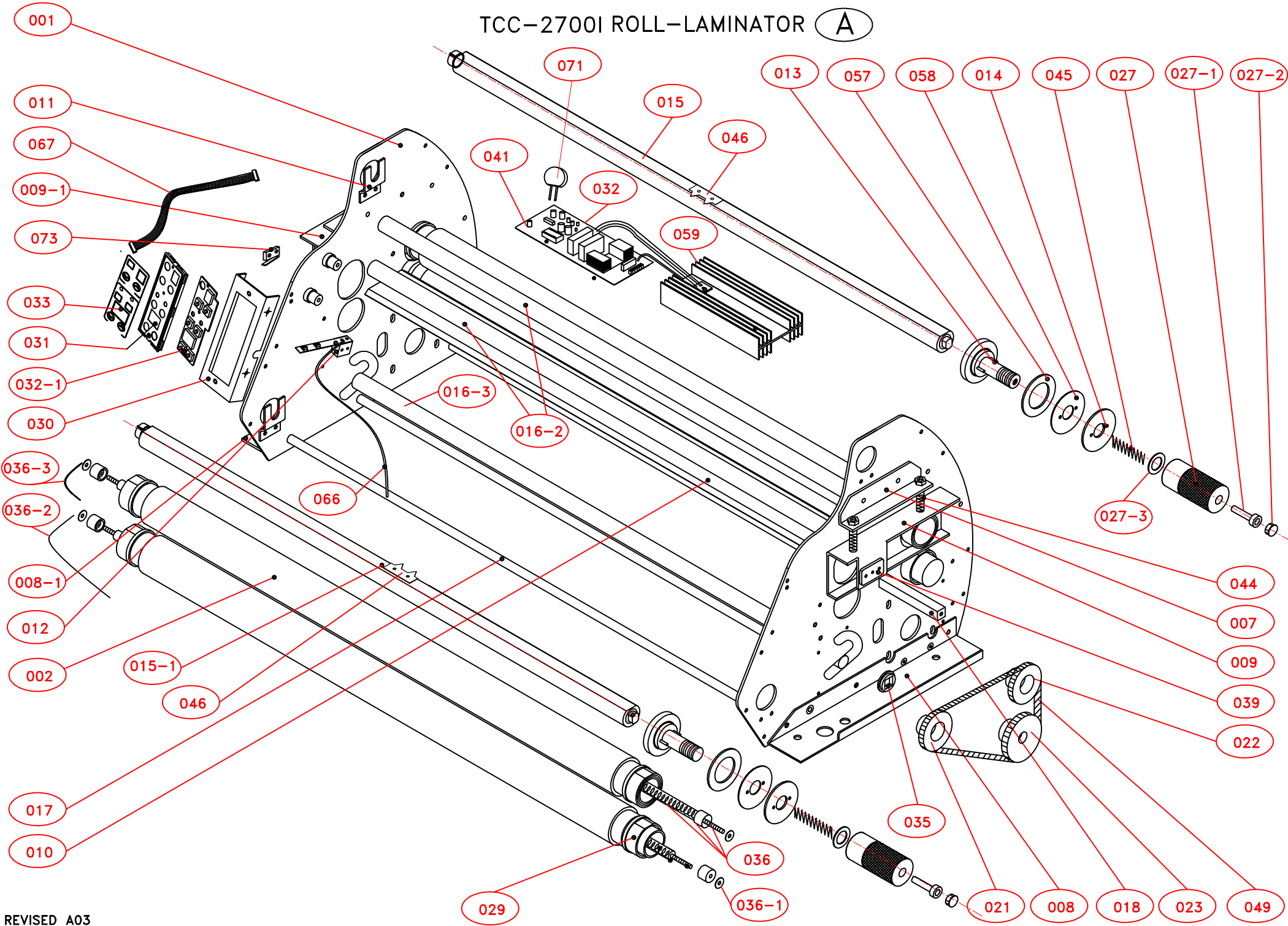
* BASED ON: STANDARD FEATURES LIST VERSION 28.2

DRAWING NO.	PART NO.	DESCRIPTION	REMARK
001	RLM-1BR	BRACKET	
002	RLM-2A	TOP/ BOTTOM ROLLER	
004	RLM-3 (SLVR)	FEED TRAY	silver
005	RLM-4	FIXING PLATE	
006	RLM-5-1:75	DC MOTOR (1:75)	RLM-5 是慢速馬達(1:180)
007	RLM-6	PRESS PLATE	
008	RLM-7	POWER BRACKET (R)	
008-1	RLM-7-1	POWER BRACKET (L)	
009	RLM-8L	HEATER BRACKET (R)	
009-1	RLM-8L-1	HEATER BRACKET (L)	
010	RLM-9 (SLVR)	GUIDE PLATE	silver
011	RLM-10	FEEDING PLATE (L)	
012	3H1-D30	THERMO SET	
013	RLM-12	FEEDING PLATE (R)	tension knob
014	RLM-13	PAD	
027	RLM-23	KNOB	
027-1	M4*0.7	SCREW	
027-2	RLM-23-2	CAP	
027-3	RLM-W1	WASHER	
045	RLM-43	SPRING	
057	RLM-54	PAD	
058	RLM-55	PAD	
015	RLM-14N	TOP ROD	upper/bottom supply roll
015-1	RLM14N-1	BOTTOM ROD	
046	RLM-44	FLAT SPRING	
016-2	RLM-15A	EXPAND SHAFT Ø5	
016-3	RLM-15B	EXPAND SHAFT (MOVABLE)	
017	RLM-16	FIXED SHAFT	
018	RLM-17	ADJUSTMENT SHAFT	
019	RLM-18 (SLVR)	REAR PLATE	silver
020	RLM-19 (SLVR)	INNER COVER	silver
021	RLM-20-1	FRONT ROLLER SPROCKET (32T)	
022	RLM-20-2	REAR ROLLER SPROCKET(31T)	
023	RLM-20-3	MOTOR SPROCKET (31T)	
025	RLM-21	FIXING PLATE	
026	RLM-22 (NVY)	SIDE COVER (R)	navy blue
026-1	RLM-22-1 (NVY)	SIDE COVER (L)	navy blue
029	RLM-25	CU BUSH	
	RLM-25-1	BUSH	
030	RLM-26	PANNEL RACK	
031	RLM-27	CONTROL PANEL	
032	RLM-27-19A-80	PCB (CPU#19A-80)	
032-1	RLM-27-4	LED PCB	
033	RLM-28	BUTTON NAMEPLATE	silver
034	RLM-29	THANSMIT PARTS	silver
035	FD-39	BUSH	
036	RLM-PVN	QUARTZ TUBE (110V)	
	RLM-46	QUARTZ TUBE CAP *2	
036-1	3H1-P11	BAKELITE SHEET	
036-2	D266O-1	WIRE (HEATER TO PCB)	
036-3	D226N	WIRE (UPPER & LOWER HEATER)	
037	RLM-32-1	HANDLE CAP	handle (silver)
	RLM-32 (SLVR)	HANDLE	
038	RLM-33 (SLVR)	SIDE GUIDE (L)	

038-1	RLM-33-A (SLVR)	SIDE GUIDE (R)	left/ righth side guide (silver)
042	CB-3	GUIDE SCREW & NUT	
039	3H1-P9A	ISOLATION PAD	
040	RLM-37N	SLITTER	
051	RLM-47	BLADE	
041	RLM-39-RS	SPACER SUPPORT	
044	RLM-42	SPRING	
048	SB-4	FOOT PAD	
049	RLM-45	CHAIN	
052	RLM-48	POWER SWITCH	
053	RLM-49	POWER CORD	
054	RLM-50	FUSE SET	
055-1	EP-10-20A	FUSE	
055-2	EP-10-15A	FUSE	
056	RLM-53-SB	WIRE JACKET	
059	RLM-56	HEAT SINK (ALUMINUM)	
	3055	TRANSISTOR	
062	RLM-59	SHIELD	
063	RLM-60	FIXED POLE	
064	RLM-52	CUT-OFF FUSE	
065	RLM-62	TRANSFORMER	
066	3H1-D33	TEMPERATURE SENSOR W/ WIRE	
067	RLM-27-3	CONNECT WIRE	
069	RLM-S1	MOTOR CONTROL SWITCH	
071	RLM-S3	VARISITOR	
072	RLM-S4	TOROID CORE	
073	RLM-P72	LIMIT SWITCH WITH WIRE	for top/bottom roller
	LABEL-1	COMPANY NAME(TAMERICA)	
	LABEL-4	SPEED LABEL	
	LABEL-5	CLEAN ROLLERS	
	LABEL-6	OPERATION INSTRUCTION	
	LABEL-7	WARING HAZARDOUS	
	LABEL-10	FOIL THREADING	
	LABEL-11	UP-DOWN	

Combination Sets			
Part Order #	Including	Item	Remark
A-RLM-01	RLM-14N	Upper supply roller	
	RLM-44		
A-RLM-02	RLM-14N-1	Lower supply roller	
	RLM-44		
A-RLM-03	RLM-27-19	PCB set	
	RLM-56		
	3055		
	TRIAC		
A-RLM-04B	RLM-PVN	Heater set (parallel connetcion)	
	RLM-46		
A-RLM-05	RLM-3 (SILVER)	Feed tray (silver)	
	RLM-33B		
	RLM-33-1B		
	CB-3 *2		

TCC-2700I ROLL-LAMINATOR (A)



TCC-2700I ROLL- LAMINATOR (B)

